



Point Spring & Driveshaft Co.

Since 1926

PARTS • SERVICE • EXPERIENCE • SOLUTIONS



BENDIX COMMERCIAL VEHICLE SYSTEMS

Shaping Tomorrow's Transportation



K096339



K128913ORX



K128912ORX



K079670ORX



K109808



K181265



K181267

Part Number	Description	Price
K096339	ATR-6 Traction Relay	421.99
K128913ORX	M-40HF ABS Modulator Valve	251.99
K128912ORX	M-40QR ABS Modulator Valve	255.99
K079670ORX	M-40QR ABS Modulator Valve	335.99
K109808	TABS6 ABS Trailer Module	590.99
K181265	WS-24 Wheel Speed Sensor	72.99
K181267	WS-24 Wheel Speed Sensor	75.99

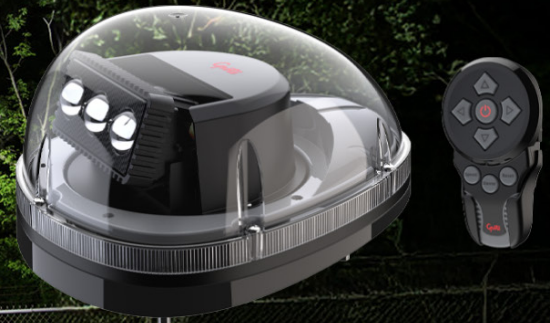
www.pointspring.com

Promotional pricing valid through 2/28/2025



G360 LED REMOTE WORK LAMP

ENJOY BRIGHT, SAFE LIGHT EXACTLY WHERE YOU NEED IT



Grote's full line of lighting products light the way for the automotive industry.

ENJOY BRIGHT, SAFE LIGHT EXACTLY WHERE YOU NEED IT

With the touch of a button on the remote, you can easily adjust the output beam from a focused spot to a wide flood, as well as tilt the LEDs vertically a full 90°, and perform a continuous 360° horizontal spin. The seamless 360° rotation ensures uninterrupted movement without needing to stop and reset.

FEATURES & BENEFITS

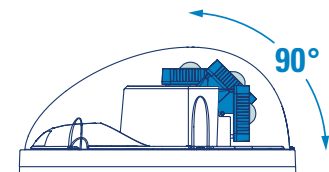
- The waterproof and dust-tight design (IP67/IP69K) makes it perfect for utility and construction work
- Automatically returns to home position when powered off
- Provides reverse polarity and short-circuit protection for simplified installation
- The versatile remote control can be used wirelessly with the included A23 battery, or connected with a cable for battery-free installation



63H91-5



360-DEGREE CONTINUOUS HORIZONTAL ROTATION



FULL 90-DEGREE TILT

Part Number	Description	Price
63H91-5	G360 LED REMOTE WORK LIGHT WITH REMOTE CONTROL	400.99



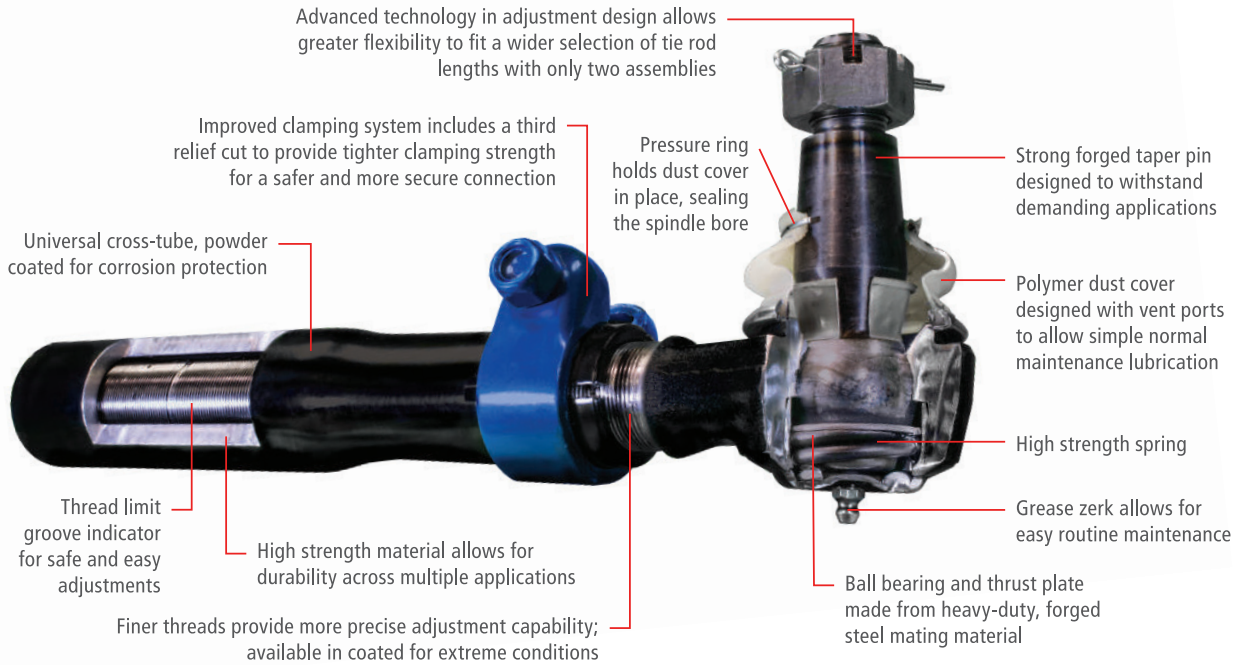
Point Spring & Driveshaft Co.

Since 1926



QWIKTIE®

The QWIKTIE tie rod assembly offers a highly adaptable solution that can accommodate a wide range of tie rod lengths. Increased clamping and tube strength allows it to hold alignment, reducing stress on other suspension components.



Part Number	Description	Price
QT108SB	Straight Cross Tube Assembly w/ Tie Rod Ends - Applications 16,000-23,000 lbs axle applications, both front and tag axle applications - FL Series Axle	313.99

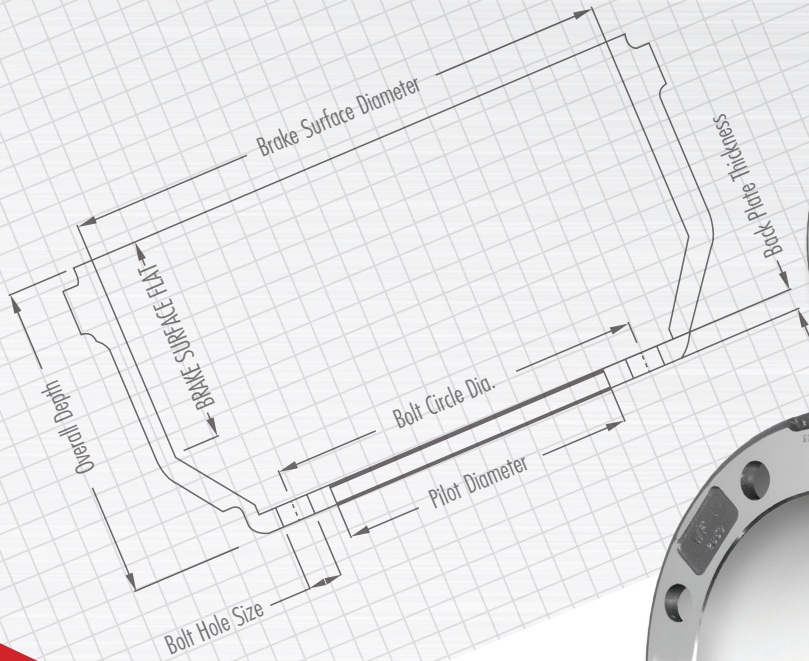
Part Number	Description	Price
QT967SS	Straight Cross Tube Assembly w/ Tie Rod Ends - Applications 10,000-13,250 lbs axle applications, both front and tag axle applications - FF Series Axle	309.99



QWIKKIT®

STEERABLE LIFT AXLE QWIKKIT KING PINS

Part Number	Description	Price
K201S	Applications: KW/Peterbilt and Dana axles	545.99
K961L	Applications: Watson Chalin/Rockwell/Meritor	479.99
K130W	Application: Watson and Chalin SRK112 and SRK98	492.99
K147E	Application: Spicer/Dana/Eaton	534.99
K181R	Application: Watson Chalin SRK120	460.99
K536M	Application: Mack/Volvo	679.99
K69Z	Application: Isuzu NPR	312.99



63680F

NEW STOCK
PRICING VALID WHILE
INVENTORY LASTS

Part Number	Description	Price
63680F	12.25" X 7.5" - 1" Hole - Low Boy Brake Drum	191.99

POINT SPRING & DRIVESHAFT CO. LOCATIONS

NEVILLE ISLAND, PA
 7309 Grand Avenue
 Neville Island, PA 15225
 Ph: 412-264-6714
 Fx: 412-264-6722
 (800) 837-4713

NEW CASTLE, PA
 1001 Harbor Street
 New Castle, PA 16101
 Ph: 724-658-9076
 Fx: 724-658-8746
 (800) 837-8713

TROY, PA
 68 Canton Street
 Troy, PA 16947
 Ph: 570-297-5555
 Fx: 570-297-5510
 (855) 297-6380

SARVER, PA
 555 North Pike Road
 Sarver, PA 16055
 Ph: 724-352-3340
 Fx: 724-352-5311

INDIANA, PA
 1849 South Sixth
 Street Suite 5
 Indiana, PA 15701
 Ph: 724-463-3710

GREENSBURG, PA
 1967 Route 66
 Greensburg, PA 15601
 Ph: 724-834-0750
 Fx: 724-834-8747
 (800) 837-9713

MEADVILLE, PA
 11377 Mercer Pike
 Meadville, PA 16335
 Ph: 814-724-7746
 Fx: 814-724-7747
 (800) 724-7751

CLEARFIELD, PA
 1729 Industrial Park Rd.
 P.O. Box 1206
 Clearfield, PA 16830
 Ph: 814-765-9684
 Fx: 814-765-1577
 (800) 252-3585

FAIRMONT, WV
 274 Van Kirk Drive
 Fairmont, WV 26554
 Ph: 304-534-3306
 Fx: 304-534-5079
 (800) 837-1713

AKRON, OH
 1250 Triplett Blvd.
 Akron, OH 44306
 Ph: 330-724-1111
 Fx: 330-724-1895
 (800) 826-0673



Point Spring & Driveshaft Co.
 Since 1926

follow us on social media



Point Spring & Driveshaft Co.



@Pointspring1926