



Point Spring & Driveshaft Co.

Since 1926

PARTS • SERVICE • EXPERIENCE • SOLUTIONS



Webb UltraSet Pre-Adjusted Hub Assembly

Pre-adjusted hubs from the brand you know and trust!

WEBB ULTRA SET



Part No.	Description	PRICE
21032--5T-2200P	Trailer Long Stud (tapered)	\$350.99
26432--5T-2200P	"R" Drive Long Stud	\$422.99
23032--5T-2200P	Trailer Long Stud (parallel)	\$374.99
25202--3T-2300P	(D-Flat) 5.44" Hub Offset	\$407.99
25302--7T-2300P	(D-Flat) 4.29" Hub Offset	\$529.99



NEW! Webb UltraSet Hubs with Pre-installed components for faster, easier installation!

- Pre-adjusted hubs for the most popular Steer, Drive & Trailer applications
- Precision machined & assembled by the industry experts—Webb
- High performance wheel seal, bearing spacer, bearings, and axle nut are all pre-installed
- Quick and easy installation with a simple torque-down procedure and no bearing adjustment
- Backed by Webb's industry leading service, training, customer support, and warranty
- Contact Webb Wheel Products for additional Ultraset hub information

www.pointspring.com

Promotional pricing valid through September 30, 2024



XA-351-A-L-P



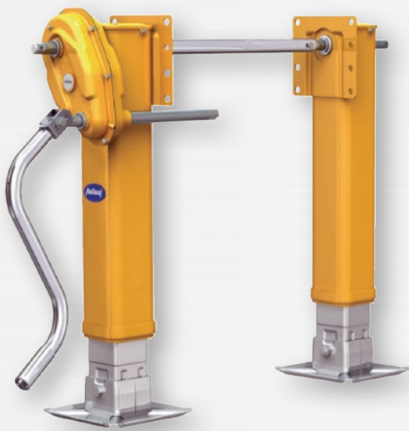
RK-351-A-L

The HOLLAND FW35 Fifth Wheel Assembly is the world's most popular, versatile and proven fifth wheel, featuring the TwinLock™ mechanism design for unmatched coupling reliability.

The FW35 Fifth Wheel Assembly features:

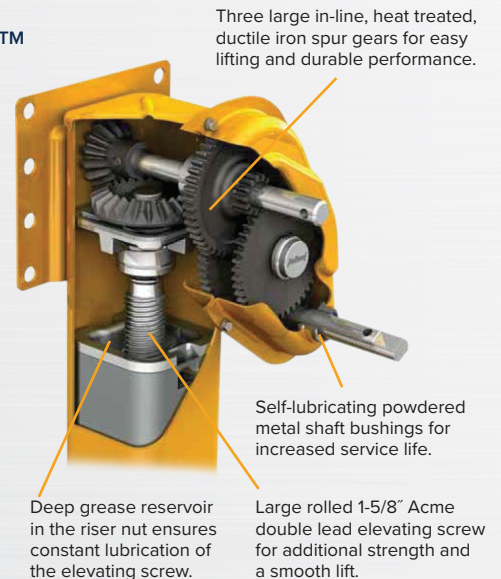
- TwinLock™ mechanism for unmatched coupling reliability
- Infinite and easy lock adjustment
- Visual lock indicator
- Automatic secondary lock
- Optional air release lock mechanism
- Optional ELI-te™ (Electronic Lock Inspection-technology enhanced)
- NoLube™ articulation pocket liners
- Optional Low Lube (FW33) top plates
- Multiple mounting options available
- Sliding or stationary Kompensator® and No-Tilt systems available

Part Number	Description	Price
XA-351-A-L-P	Std Top Plate	\$1470.99
RK-351-A-L	Top Plate Repair Kit - FW35/XA-351 and FW33/XA-331 - Manual Release - Left Hand	\$608.99



HOLLAND MARK V™ SPECIFY IT, RELY ON IT.

This legendary landing gear will always deliver the strength, the ease of operation, and the durability needed to exceed the demands of any landing gear application. Still positioned as the best overall landing gear model, the HOLLAND MARK V is suitable for all standard and heavy duty applications. Unsurpassed features ensure that the MARK V delivers the absolute best in HOLLAND landing gear. In addition, a heavy duty version is also available for severe duty applications. Now standard with BLACK ARMOUR™ corrosion protection.



Part Number	Description	Price
LGS-3A105	48.2" Extended, 31.7" Retracted, 16.5" Travel Length - 26" Leg - 62,500 lbs capacity	\$1072.99
LGS-5A105	52.7" Extended, 34" Retracted, 18.7" Travel Length - 28" Leg - 62,500 lbs capacity	\$1103.99

MARK V CAPABILITIES

Lifting Capacity – Rated 100 ft. lbs. Input Torque	62,500 lbs.
Load Capacity	200,000 lbs.
Side Load Capacity	32,000 lbs.
CRANK TURNS PER INCH	
Low Gear	33.8
High Gear	2.5



New Pig

World's best stuff for leaks, drips, and spills.



\$44.99

PIG® UNIVERSAL SPILL KIT IN SEE-THRU BAG

Quick response is key: Spills happen no matter how hard you try to avoid them. Forklifts knock over drums, tanks are punctured and transporters leak and drip.

It is important to have the right sorbents on-hand when these spills occur to eliminate the slip-and-fall hazard. A quick response is the first order of business — and your best weapon — in the fight against spills. New Pig® Spill Kits are packed with quality products to help you clean up fast and comply with regulations.

The sorbents you need are all inside: Includes a variety of sorbents to handle smaller spills of oils, coolants, solvents or water that truckers encounter on a regular basis; pre-packed in a handy bag.

Self-contained, compact kit stores sorbent products for easy access as needed for spill control; saves time when quick response is necessary. Small size; easily fits behind the seat of a truck.

#KIT908 KIT CONTENTS:

20 - 15" x 19" Heavyweight Universal Pads	1 - Safety Goggles
3 - 3" x 48" Gray Universal Sorbent Socks	2 - 18"W x 30"L Yellow Temporary Disposal Bags & Ties
1 - Nitrile Gloves	1 - 3" x 5" Vinyl Spill Kit Label
	1 - Clear Vinyl Zippered Bag



* White mats are oil absorbing only
** Grey mats are all absorbing

Part No.	Mat Description	Qty.	Price
MAT204	Absorbant Mat Pad - Lightweight 15x20	200 per bag	\$68.99
MAT423	Oil-Only Absorbent Mat Pad - Lightweight 15x20	200 per bag	\$68.99
BLU101	Pig Blue® Absorbent Mat Pad	100 per bag	\$76.99
MAT403	PIG® Oil-Only Absorbent Mat Pad	100 per bag	\$76.99
MAT744	Universal Economy Mat	200 per bag	\$57.99

Part No.	Wipe Description	Qty.	Price
WIP550	WorkWipes® Reclaimed Colored T-Shirt in Bag	10 lbs	\$21.99
WIP565	WorkWipes® Reclaimed Hospital Blanket in Box	25 lbs	\$77.99
WIP551	WorkWipes® Reclaimed Colored T-Shirt in Bag	25 lbs	\$49.99
WIP535	WorkWipes® Reclaimed Colored T-Shirt in Box	25 lbs	\$54.99

Safe for workers

No silica dust or back-breaking lifting

Packaged for easy use

Control where you put the material vs. pouring it everywhere

Easy storage

No need to buy a pallet, freeing up storage space for other merchandise

Quick and easy deployment for spill clean-up

No more sweeping, shoveling, tracking, and dust — increased productivity!

Available in multiple sizes, shapes, and absorbencies

Use only what you need - little material waste

Won't damage equipment or surface

Hydraulics, parts, and epoxy floors are safe



Point Spring & Driveshaft Co.

Since 1926

HEAVY DUTY DIESEL PARTICULATE FILTERS & DIESEL OXIDATION CATALYSTS

The PowerEdge 9 line of diesel particulate filters and diesel oxidation catalysts combine strengthened designs with upgraded materials.

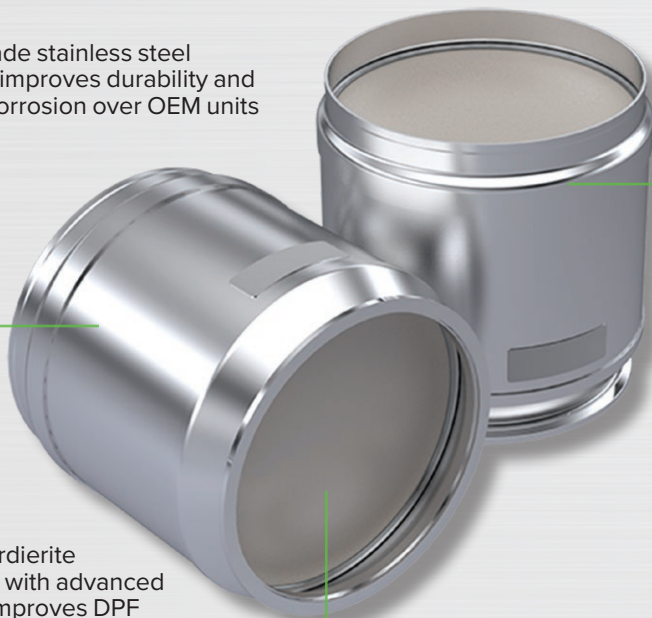
- High-grade stainless-steel canisters improve durability and resist corrosion.
- Advanced filter coating and substrates reduce active regeneration.
- Tested to reduce backpressure and enhance performance.
- Improved thermal stability and efficiency.
- Backed by a three-year/unlimited mileage warranty.

Diesel Aftertreatment Gaskets and Clamps

- Comprehensive offering of exhaust accessories.
- Includes all the necessary brackets and hangers needed to secure and support the exhaust system.
- Gaskets made with premium materials to withstand higher temperatures of today's engines.
- Flanges designed for universal and direct fit applications.
- High quality clamps to properly secure exhaust system components.
- Available separately for reinstallation DPF or DOC after cleaning.
- **All aftertreatment units include gaskets and clamps if required for installation.**

ENHANCED PERFORMANCE FEATURES EXTENDS SERVICE LIFE

High-grade stainless steel canister improves durability and resists corrosion over OEM units



Application specific designs, and included gaskets and clamps, ensures a perfect fit when replacing OEM parts

Tough cordierite substrate with advanced catalyst improves DPF durability and efficiency

Part No.	Application	PRICE
DC1-D0806	Detroit Diesel DD13/DD15/DD16 Diesel Particulate Filter	\$1130.99
DC1-D0813	Detroit Diesel Diesel Particulate Filter	\$1130.99
DC1-M1003	Cummins ISM/ISL Diesel Particulate Filter	\$1992.99
DC1-X1103	Cummins ISX 11.9/15 Paccar MX13 Diesel Particulate Filter	\$1693.99
DC2-C0406	Cummins ISC 8.3/ISL 9 Paccar PX8 Diesel Oxydation Catalyst	\$1827.99
DC2-M0403	Cummins ISM/ISL Diesel Oxydation Catalyst	\$1608.99
DC2-X0618	Cummins ISX Diesel Oxydation Catalyst	\$2281.99



RESTART YOUR ENGINES!



Cummins Common Rail ISX HPI



Cummins ISX HPI



Cummins N14



Detroit Diesel 12.7



Cat C15



Navistar - DT466

Part No.	Description/ Application	PRICE
R-2872405	Reman Fuel Injector - Cummins ISX XPI Common Rail	\$795.99
R-MCB4088665	Reman Fuel Injector - Cummins ISX HPI	\$474.99
R-3411767	Reman Fuel Injector - Cummins N14	\$389.99

Part No.	Description/ Application	PRICE
R-5237650	Reman Fuel Injector - Detroit Diesel 12.7	\$345.99
R-10R8502	Reman Fuel Injector - CAT C15	\$599.99
R-5010657R92	Reman Fuel Injector - Navistar DT466E	\$435.99

a core charge will apply if applicable

Interstate-McBee has added to our line of reliable and cost saving 3406E and C15 Remanufactured Fuel Injectors. Each item is engineered to the specific standards called for by the application and fully backed by our comprehensive Interstate-McBee warranty.

- Each injector includes a new Trim Code which increases fuel efficiency and accuracy while reducing emissions.
- Non-ACERT applications - the Trim Code is printed on the injector (see picture A).
- ACERT applications – a Trim File flash drive is included in the packaging (see picture B).
- 100% surface lapping of critical components ensures pressure sealing of sub-assemblies.
- Complete set of new installation o-rings for proper seal between the injector and the cylinder head.



Picture A

Picture B





Part No.	Description	PRICE
1131PMF	12V Commercial Battery (Post) - 12 Volt	\$131.99
1131MF	12V Commercial Battery (Stud)	\$131.99

Keep Heavy-Duty Equipment Running at Top Performance
 Demanding commercial equipment requires nothing less than the most powerful, reliable batteries. This complete line of the toughest commercial product is specially engineered for durability while meeting high power ratings for heavy-duty engines.



Power Sport

Hit the road, dirt, snow and water with superior maintenance-free battery power. Our power sport batteries are easy install and will help get you out and started in record time.

Part No.	Description	PRICE
ETX15L	PWRSPORT AGM Battery	\$101.99
ETX14L	PWRSPORT AGM Battery	\$106.99
ETX14	PWRSPORT AGM Battery	\$106.99
ETX30LA	PWRSPORT AGM Battery	\$155.99
ETX20L	PWRSPORT AGM Battery	\$128.99
ETX15L	PWRSPORT AGM Battery	\$106.99

To find which battery is best for you, please use the guided tool at <https://dekacatalog.com/power-sport>



Part No.	Description	PRICE
GC25	Golf Cart DC Battery w/235 20 HR CAP	\$179.99
GC15	Golf Cart DC Battery w/230 20 HR CAP	\$163.99



**AMERICAN
FORGE & FOUNDRY**



Jacks

Part No.	Description	PRICE
3180A	Transmission Jack 4400 Lbs	\$1915.99
350HD	3.5t Floor Jack 1PC Handle	\$362.99
54200	Viking 20T Air/Hyd Bottle Jack	\$206.99
3608	8 Ton Super Duty Bottle Jack	\$77.99

Part No.	Description	PRICE
3612	Super Duty Bottle Jack	\$102.99
400SS	4 Ton Heavy Duty Floor Jack	\$447.99
3700	Clutch Jack 500 lbs. Capacity	\$881.99

Work Surfaces

Part No.	Description	PRICE
3990	61" X 25" 1300 lb, Capacity Worktable	\$458.99
3994	48" Tear Down Table W/Drawer, Drain Pan, Wheels	\$729.99
3995	61" X 31" 1300 lb, Capacity Work Tabel w/Drawer	\$664.99
3996	83" X 31" 1300 lb. Capacity Worktable	\$737.99
52200	Viking 200 lb Capacity Undr Hood Cart w/Drawer	\$146.99
3999	100 lb. Capacity Abs Under Hood Cart w/Center Post Pad	\$286.99



Truck Stands

Part No.	Description	PRICE
3309B	Truck Stand 10 Ton Pin Style Medium Height	\$319.99
6522	22 Ton Pin Style Truck Stand - Each	\$221.99





Part No: CAB25

**CAB25
1/4" DOT AIRBRAKE
FITTINGS PARTS KIT**

Use the 25 labor-saving, DOT-rated push-to-connect fittings and tube cutter contained in this kit for work on 1/4" OD nylon tubing lines.



Superior cold weather flexibility and abrasion resistance
UV and ozone resistant nylon

Conforms to our own rigorous qualification and inspection testing which exceeds SAE and DOT requirements

Designed to operate at up to 150 psi in air brake systems

Resistant to exposure by gasoline, diesel fuel and commonly used road and cleaning chemicals

Air Brake Tubing available on bulk spools or by using suffix for packages

Operating range: -40°- 200°F

NYLON AIR BRAKE TUBING

Part No.	Description	PRICE
1924-01-1	1/4" - black	\$0.74 / foot
1926-01-1	3/8" - black	\$0.98 / foot
1928-01-1	1/2" - black	\$1.00 / foot
1930-01-1	5/8" - black	\$2.00 / foot
1932-01-1	3/4" - black	\$2.88 / foot
1924-02-1	1/4" - blue	\$0.74 / foot
1926-02-1	3/8" - blue	\$1.00 / foot
1924-05-1	1/4" - red	\$0.74 / foot
1926-05-1	3/8" - red	\$1.00 / foot



Part No: CAB26

**CAB26
3/8" & 1/2" DOT AIRBRAKE
FITTINGS FOR NYLON TUBING**

This kit contains 20 pieces of DOT-rated push-to-connect fittings and a tube cutter for the plumbing or repair of 3/8" and 1/2" OD nylon airbrake tuning lines.



Part No: CAB27

**CAB27
DOT AIRBRAKE FITTINGS
ASSORTMENT PARTS KIT**

Over 70 of the most popular compression-style DOT-rated airbrake fittings and spare parts along with a handy tube cutter are contained for 1/4", 3/8" OD nylon tubing sizes.

FITTING KITS

Part No.	Description	PRICE
CAB25	1/4" Dot Push-Lock Fittings	\$171.99
CAB26	3/8 & 1/2" Dot Push-Lock Fittings	\$157.99
CAB27	1/4, 3/8, 1/2" Dot Airbrake Fittings	\$147.99
CAB22	Dual/Hvy Wall Shrink Tubing	\$69.99
CAB24	Transmission Fittings	\$150.99
CAB55	Dot Push To Connect Fittings	\$471.99



29LTDFM



PRO510XL



RT-44112



HGM-73



302-10001



Part No.	Brand	Item Description	PRICE
302-10001	Astatic(TM)	Noise-Cancelling 4-Pin CB Microphone, Bl	\$39.99
30210002	Astatic(TM)	Noise Cancelling 4-Pin CB Mic, Black	\$41.99



Part No.	Brand	Item Description	PRICE
29LTDFM	Cobra	29LTD AM FM Classic CB Radio	\$148.99
29LTDCRFM	Cobra	29LTD AM FM Classic CB Radio in Chrome	\$176.99
HGM-73	Cobra	4-Pin HighGear(TM) Dynamic CB Microphone	\$28.99
HGM-77	Cobra	4-Pin HighGear(TM) Noise Canceling Mic	\$46.99



Part No.	Brand	Item Description	PRICE
300-CB22B	Francis(R) Antennas	3ft Hot Rod CB Antenna Black	\$14.99

Part No.	Brand	Item Description	PRICE
RT-44112	HammerHead Industries	CB MicKeeper with 28in Retractable Cord	\$17.99



Part No.	Brand	Item Description	PRICE
RKCBCLASSIC	RoadKing(R)	40 Channel Classic CB Radio	\$118.99



Part No.	Brand	Item Description	PRICE
RP-302	RoadPro(R)	STUD 3/8 in CHROME ANTENNA	\$4.99
RP-311HD	RoadPro(R)	SPRING SHOCK HD CHROME PLATED	\$7.99
RPPS-2B	RoadPro(R)	2ft CB Antenna Black, 1000W	\$17.99
RPPS-3B	RoadPro(R)	3ft CB Antenna, 1000W Black	\$18.99
RP-8X18CL	RoadPro(R)	18 ft Mini 8 Clear PL-259 to PL-259	\$17.99



Part No.	Brand	Item Description	PRICE
PRO-510XL	Uniden	Compact Mobile CB Radio	\$72.99
BEARCAT880	Uniden	Chrome CB Radio	\$162.99



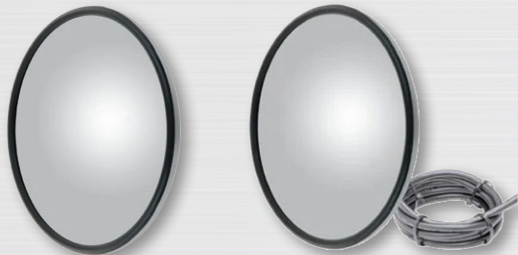
Part No.	Brand	Item Description	PRICE
305-480	Wilson(R) Antennas	Tunable 2ft Fiberglass Black Whip	\$20.99
305-830	Wilson(R) Antennas	18ft Coax Cable with PL-259 Connectors	\$25.99
305-38	Wilson(R) Antennas	Little Wil Magnet Mount CB Antenna Kit	\$44.99
305-492	Wilson(R) Antennas	T2000 Series CB Trucker Antenna, Black	\$59.99
305550-5	Wilson(R) Antennas	T5000 Trucker Series CB Antenna, Black	\$81.99



601285

601272

610673



604798

610676

Part No.	Description	Price
601285	7" x 16" Stainless Rounded Angle-Back Heated West Coast Mirror Head	\$32.99
610673	8" Stainless Center-Mount Convex Mirror Head with J-Bracket	\$11.99
610676	8" Stainless Center-Mount Heated Convex Mirror Head	\$35.99
610551	8" Stainless Offset-Mount Convex Mirror Head	\$18.99
609898	8-1/2" Stainless Offset-Mount Convex Mirror Head with J-Bracket	\$12.99
610556	8" Stainless Offset-Mount Heated Convex Mirror Head	\$37.99
601272	7" x 16" Stainless Rounded Angle-Back West Coast Mirror Head	\$24.99
604798	8" Stainless Offset-Mount Convex Mirror Head with Plastic Ball Stud	\$18.99
604895	Center-Mount Heated Convex Mirror Head	\$39.99
610191	6" Stainless Center-Mount Convex Mirror Head	\$8.99



206960

207505

Part No.	Description	Price
206960	MagLatch Grille Guard Mounting Brackets	\$481.99
207505	Tuff Guard XT Grille Guard	\$577.99



Class 2 Safety Vest

Lightweight high-visibility orange with contrast lime trim and reflective gray stripes for enhanced visibility
Includes zipper front closure, 2 hanging tabs, clear badge holder, 4 pen holders, 3 front pockets, with breathable mesh on the back
Meets ANSI Class 2 and CE EN 471 specifications

Class 2 Safety Vest

Lightweight high-visibility lime with contrast orange trim and reflective gray stripes for enhanced visibility
Includes zipper front closure, 2 hanging tabs, clear badge holder, 4 pen holders, 3 front pockets, with breathable mesh on the back
Meets ANSI Class 2 and CE EN 471 specifications

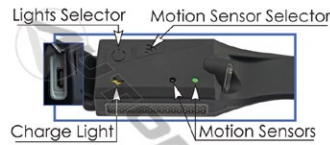
Part No.	Description	PRICE
571.SV103XXL	2XL Safety Vest Class 2 - YELLOW	\$10.99
571.SV103XL	XL Safety Vest Class 2 - YELLOW	\$10.99
571.SV103L	L Safety Vest Class 2 - YELLOW	\$10.99
571.SV105XXL	2XL Safety Vest Class 2 - ORANGE	\$10.99
571.SV105XL	XL Safety Vest Class 2 - ORANGE	\$10.99
571.SV105L	L Safety Vest Class 2 - ORANGE	\$10.99



Part No.	Description	PRICE
571.SG1001	Grey - Clear Lens Safety Glasses - UV Protection	\$2.99
571.SG1002	Black - Clear Lens Safety Glasses - UV Protection	\$4.99
571.SG1003	Black - Smoke Lens Safety Glasses - UV Protection	\$3.99



579.MFL2010



Part No.	Description	PRICE
579.MFL2010	COB LED Headlamp	\$15.99



Part No.	Description	PRICE
571.SF185G	Red Flag w/ Grommets	\$3.99
571.MFH101	Magnetic Flag Holder	\$5.99
571.SB115M	Oversize Load Mesh Banner w/ Hooks	\$25.99
571.SB106M	Oversize Load Banner Mesh w/ Grommets	\$21.99
562.J1536N	Bumper Guide Set 36in - Orange Nylon	\$30.99



Eaton Heavy-Duty Clutch Selector

1 Self-adjusting clutches are recommended for trucks with hydraulic linkage to reduce the risk of drivetrain damage.

Spline Dia. - No. of Splines	Flywheel Bore Opening / Damper Type	No. of Springs / Damper Type	Clutch Torque lb-ft (must equal or exceed engine torque)	Best		Better		Good			
				Original Equipment Specifications (Pre-damper suffix in parentheses)		Aftermarket Specifications		Remanufactured			
				Advantage [®] Self-Adjust	Easy Pedal Advantage [®] Manual Adjust	EverTough [®] Self-Adjust	EverTough Manual Adjust	Advantage Self-Adjust	Easy Pedal Advantage Manual Adjust		
15.5 inch	7"	8	1400								
			1950	4		10201-74AM					
		8.5"	10	1950	4	309701-51	308925-51	102701-51AM	108935-51AM		
				1700	4			108935-61AM	108935-61MD*		
	2" - 10"	9 (Mack and Volvo 11.8 & 13)	8	1950	4	309701-68	308925-68				
				1950	6	309701-91	308925-91				
			7	1700	6			109701-92AM			
				1950	6	309701-98	308925-98				
			7	1700	4	309701-82	308925-82	109701-82AM	108925-82AM	309701-82MD	308925-82MD
				1700	4	309701-24 (34)	308925-24 (34)				
		7 VCT Plus [®]	7	1950	4	309701-22	308925-22				
				1950	6	309701-29 (39)	308925-29 (39)				
7			2950	6			109701-20AM	108925-20AM	309701-20MD	308925-20MD	
			2950	6			109701-25AM	108925-25AM	309701-25MD	308925-25MD	
7 VCT Plus			2950	6	309701-25 (35)	308925-25 (35)					
			2250	6	309708-32 (42)	308937-32 (42)					
14 inch	7"	8	850	6							
			1000	3							
		7	1150	Organic							
			1300	4							
	2" - 10"	7	8	850	6						
				1000	3						
		7	1150	Organic							
			1300	4							

2 Choose size of your cast two-plate heavy-duty clutch. 3 Determine flywheel bore opening and select number of springs. 4 Choose clutch torque. Rating in chart must be equal to or exceed engine torque rating. 5 Narrow clutch choice based on options. All part numbers in row meet your specs. 6 Choose from new or remanufactured. * Easy Pedal Design

Advantage Series 7-spring VCT Plus
Eaton's premium damper, high torque capability with best-in-class vibration control

Advantage Series Pre-Dampers
effective at quieting neutral gear idle rattle (Pre-damper suffix in parentheses in the table above)

Estimated shipping weights: 15.5" = 150 lbs, 14" = 110 lbs

Advantage Series

- Strap drive intermediate plate
- Spring separator system
- Original equipment specification
- 3 year/unlimited mileage warranty
- 50,000 mile lube interval

EverTough

- Aftermarket specification
- 2 year/unlimited mileage warranty
- 25,000 mile lube interval

Remanufactured Advantage Series

- Industry-leading strap drive technology
- Made in the USA using genuine Eaton parts
- 100% tested to like new quality
- 1 year/unlimited mile warranty
- 20,000 mile lube interval

DM and ECA clutches are backed by a 12 month/unlimited mile warranty.



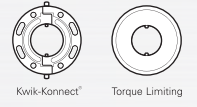
Eaton® Heavy-Duty Clutch Installation Kits

When a transmission is pulled for a clutch replacement, why not replace the other clutch-related wear components with an Eaton Clutch Installation Kit? It has all the parts and instructions you need for longer clutch life, smoother shifts and less wear on your transmission.



APPLICATION	KIT #	INCLUDES INPUT SHAFT #
RT Series	K-2468CL	23566
RT Series - 1.75"	K-4264CL	4304041
RT Series - Severe Duty (designed for PTO applications)	K-3762CL	23566
RT Series with 14 Spline Input Shaft	K-3768CL	4304841
RT Series with Hydraulic Clutch Release	K-4125CL	23566
RT Series - Severe Duty with Hydraulic Clutch Release	K-4339CL	23566
RT Series with Mack® style Pilot Bearing	K-3598CL	23566
FR Series	K-3600CL	4304633
FR Series - 1.75"	K-4263CL	4304357
FR Series with Mack® style Pilot Bearing	K-3601CL	4304633
FR Series with Original Design (4302315) Input Shaft	K-3602CL	4302315
FR Series with Hydraulic Clutch Release	K-4124CL	4304633
All UltraShift PLUS	K-4145CL	4308011
FRLO (Lighting) Series	K-3764CL	4305624

Heavy-Duty Clutch Brakes



SPLINE	DESCRIPTION	PART #
1.75" - 10"	Torque Limiting	127740
2" - 10"	Kwik-Connect	127200
	Torque Limiting	127760

Eaton Medium-Duty Clutch Selector

Standard Stroke 500" to 560" Bearing Travel	Spline Dia. - No. of Splines	No. of Discs	Damper Type	Clutch Torque lb-ft (must equal or exceed engine torque)	Facing	New		Remanufactured	
						Manual Adjustment	Solo	Manual Adjustment	Solo
1.75" - 10"	2**	7 + 1	800	3TB	109500-10	107237-10*	109500-10MD	107237-10MD	
			800	3TB	109500-12	107342-12	109500-12MD	107342-12MD	
			800	3TB	109500-24	107342-24	109500-24MD	107342-24MD	
		8	800	3TB	109500-3	107342-3			
			800	3TB	109500-20	107342-20			
			800	3TB	109500-26	107342-26			
	2.0" - 10"	2**	7 + 1	1000	4SB	109500-24	107342-24	109500-24MD	107342-24MD
				1000	4SB	109500-3	107342-3		
				1000	4SB	109500-20	107342-20		
		8	1000	4SB	109500-26	107342-26			
			1000	4SB	109500-20	107342-20			
			1000	4SB	109500-26	107342-26			
1.75" - 10"	1	8 / Free Travel	620	3SB	109404-5		109404-5MD		
			620	3SB	109404-5		109404-5MD		
			620	3SB	109404-5		109404-5MD		
	2**	7 + 1	800	3TB	109500-10		109500-10MD		
			800	3TB	109500-10		109500-10MD		
			800	3TB	109500-10		109500-10MD		
1.75" - 10"	1	8	600	Organic	104100-2				
			600	3SB	104100-2				
			600	3SB	104100-2				
	2**	3+1	800	3SB	104200-1				
			800	3SB	104200-1				
			800	3SB	104200-1				

Please refer to the Roadranger Warranty Guide TCW10300 for the latest warranty time and miles offering.

Severe Service: A combination of higher plate load, super buttons, or an additional number of facings. United States and Canada only.

Two Plate Clutches: Fits in place of single plate (pull type) however, this increases inertia to the transmission and may affect shiftability and longevity.

1 Choose linkage stroke and clutch type.

2 Choose spline diameter size and number of discs.

3 Damper design type.

4 Choose clutch torque. Rating in chart must be equal to or exceed engine torque rating.

5 Narrow clutch choice based on options. All part numbers in row meet your specs.

6 Choose from new or remanufactured.

7+1 Damper - designed to quiet idle rattle

3 Super Button (3SB)

4 Super Button (4SB)

3 Trap

8 Super Button (8SB)

Clutch Torque lb-ft (must equal or exceed engine torque)	Eaton Medium-Duty DM Clutch for Automated Transmission Kit Part No.
700	121500-EX

POINT SPRING & DRIVESHAFT CO. LOCATIONS

NEVILLE ISLAND, PA
7309 Grand Avenue
Neville Island, PA 15225
Ph: 412-264-6714
Fx: 412-264-6722
(800) 837-4713

NEW CASTLE, PA
1001 Harbor Street
New Castle, PA 16101
Ph: 724-658-9076
Fx: 724-658-8746
(800) 837-8713

TROY, PA
68 Canton Street
Troy, PA 16947
Ph: 570-297-5555
Fx: 570-297-5510
(855) 297-6380

SARVER, PA
555 North Pike Road
Sarver, PA 16055
Ph: 724-352-3340
Fx: 724-352-5311

INDIANA, PA
1849 South Sixth
Street Suite 5
Indiana, PA 15701
Ph: 724-463-3710

GREENSBURG, PA
1967 Route 66
Greensburg, PA 15601
Ph: 724-834-0750
Fx: 724-834-8747
(800) 837-9713

MEADVILLE, PA
11377 Mercer Pike
Meadville, PA 16335
Ph: 814-724-7746
Fx: 814-724-7747
(800) 724-7751

CLEARFIELD, PA
1729 Industrial Park Rd.
P.O. Box 1206
Clearfield, PA 16830
Ph: 814-765-9684
Fx: 814-765-1577
(800) 252-3585

FAIRMONT, WV
274 Van Kirk Drive
Fairmont, WV 26554
Ph: 304-534-3306
Fx: 304-534-5079
(800) 837-1713

AKRON, OH
1250 Triplett Blvd.
Akron, OH 44306
Ph: 330-724-1111
Fx: 330-724-1895
(800) 826-0673



Point Spring & Driveshaft Co.
Since 1926

follow us on social media

Point Spring & Driveshaft Co.

@Pointspring1926